

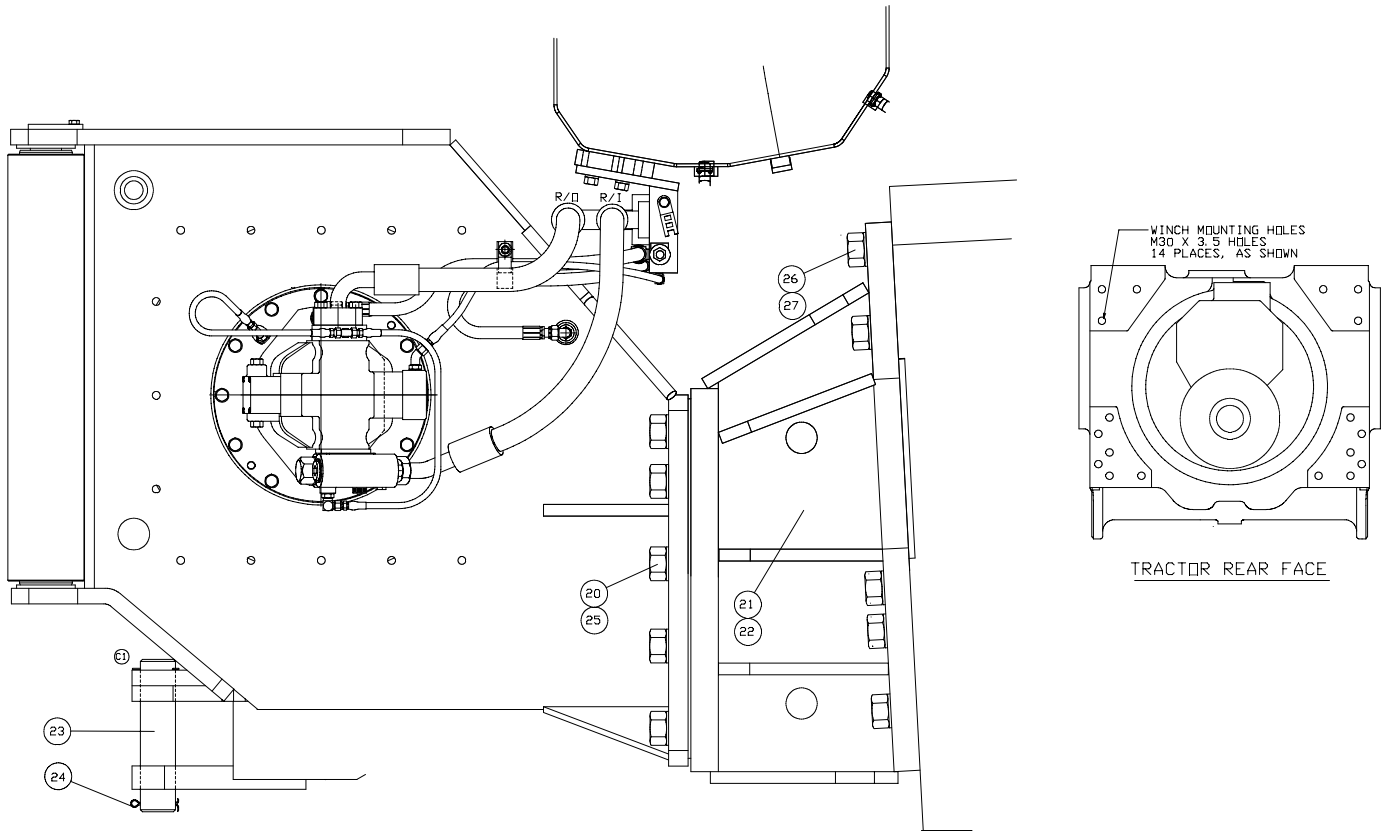
CARCO®

INSTALLATION AND PARTS MANUAL MODEL H140A FOR CATERPILLAR D8T PS TRACTORS

TABLE OF CONTENTS

Mounting Group	2-3
Control Group	4-5
Joystick Assembly	6
Motor Lines Group	7
Lines Group	8-10
Manifold Assembly	11
Valve Mounting Group	12-13
Valve Assembly	14-15
Motor Group	16-17
Brake Valve Assembly	18

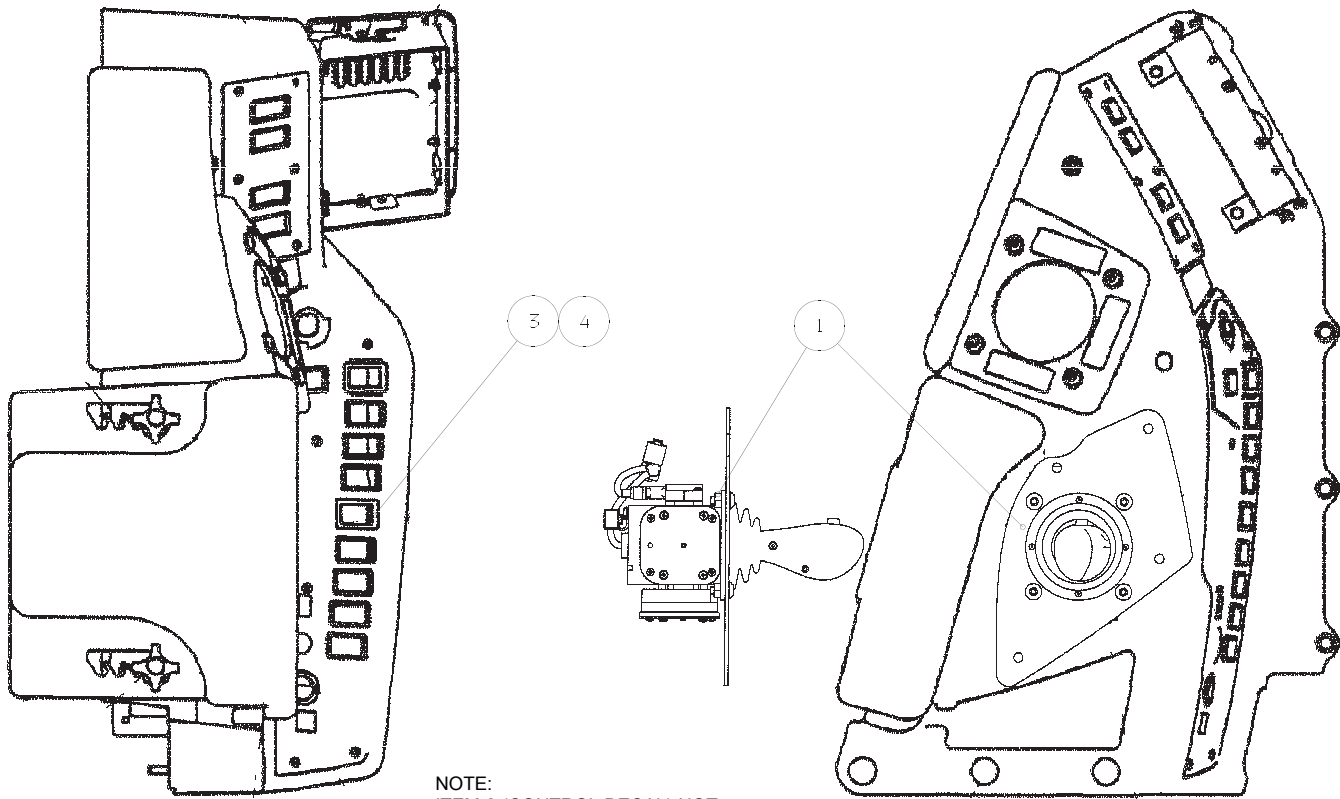
**MODEL H140A
MOUNTING GROUP
D8T**



	PART NO	DESCRIPTION	QTY
20	101872	CAPSCREW, HEX HD (1¼ - 7 X 3½, G8, Z)	10
21	105597	BRACKET, LH	1
22	105598	BRACKET, RH	1
23	103102	HITCH PIN	1
24	70148	COTTER PIN	2
25	101206	WASHER, HARD (1¼ Z)	10
26	104193	CAPSCREW, METRIC HEX HD (M30 X 3.5 X 90 mm, G10.9, Z)	14
27	104194	WASHER, HARD (M30, Z)	14

THIS PAGE INTENTIONALLY LEFT BLANK

**MODEL H140A
CONTROL GROUP
D8T**

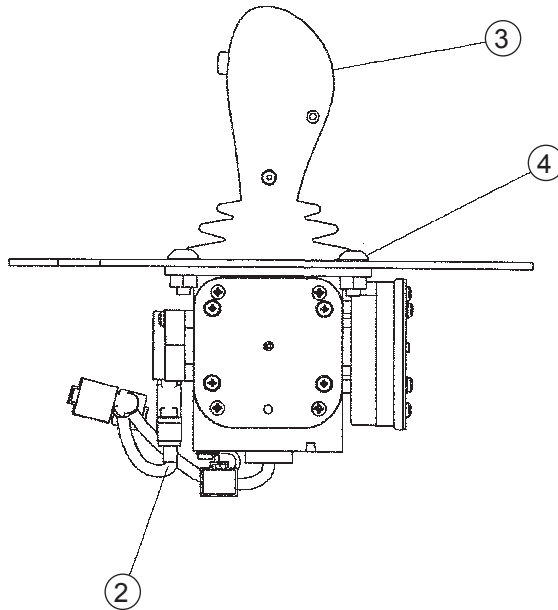
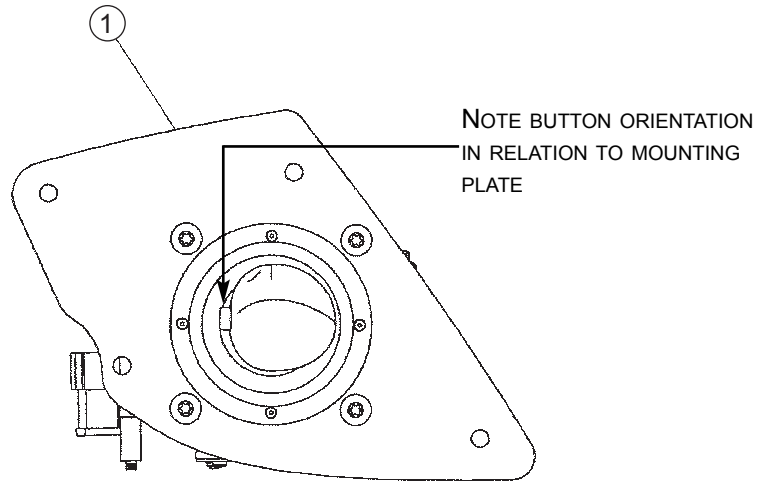


NOTE:
ITEM 2 (CONTROL DECAL) NOT
SHOWN. INSTALL WHERE CLEARLY
VISIBLE BY OPERATOR.

ITEM NO	PART NO	DESCRIPTION	QTY
1	83401	CONTROL, JOYSTICK ASSY (REFER TO PAGE 6)	1
2	106157	DECAL, WINCH CONTROL	1
3	106158	SWITCH	1
4	106159	SWITCH GUARD	1

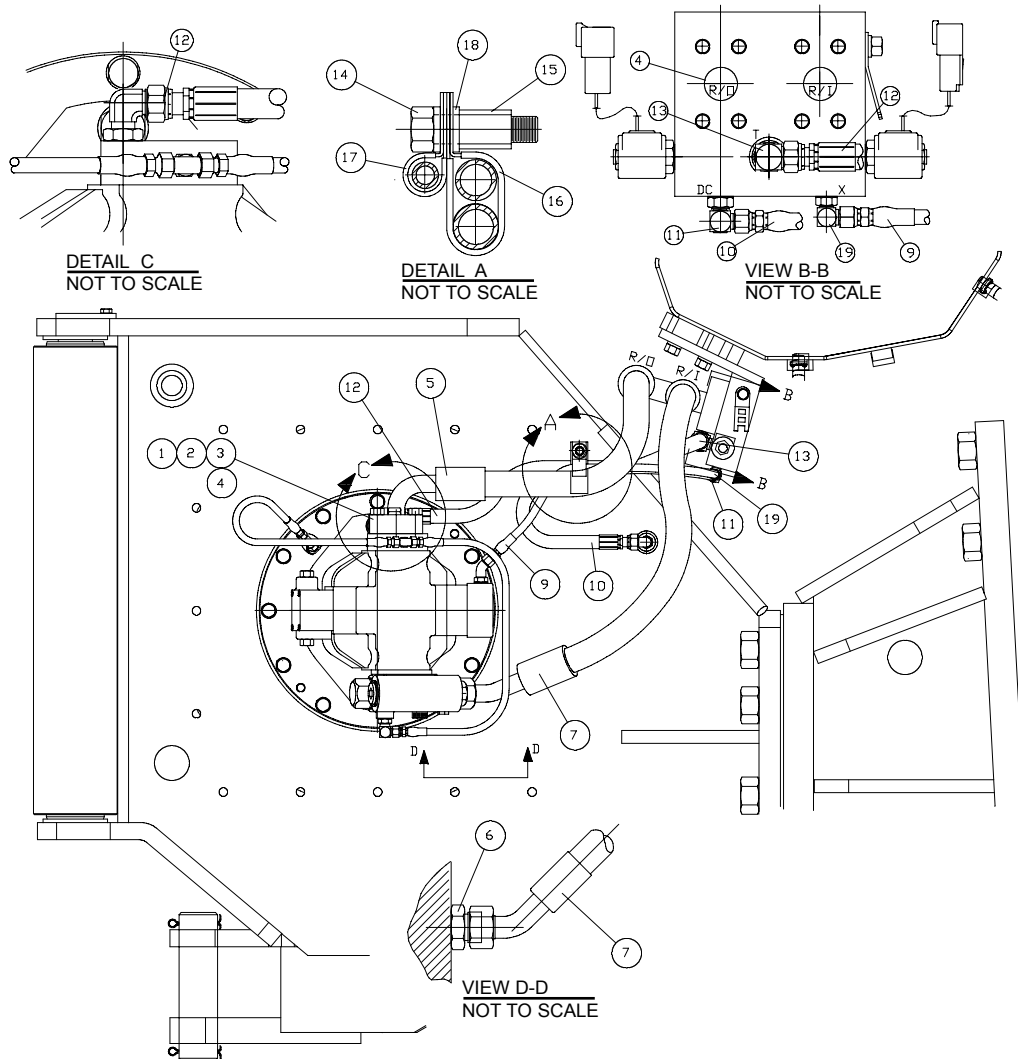
THIS PAGE INTENTIONALLY LEFT BLANK

**MODEL H140A
JOYSTICK ASSEMBLY
D8T**



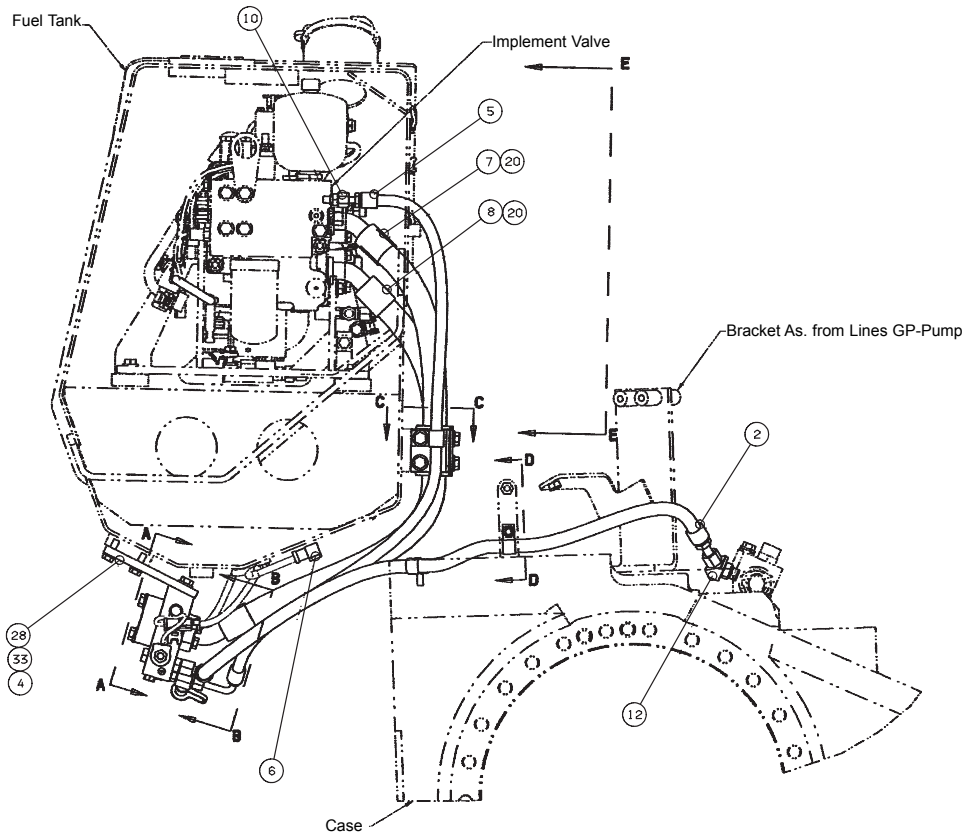
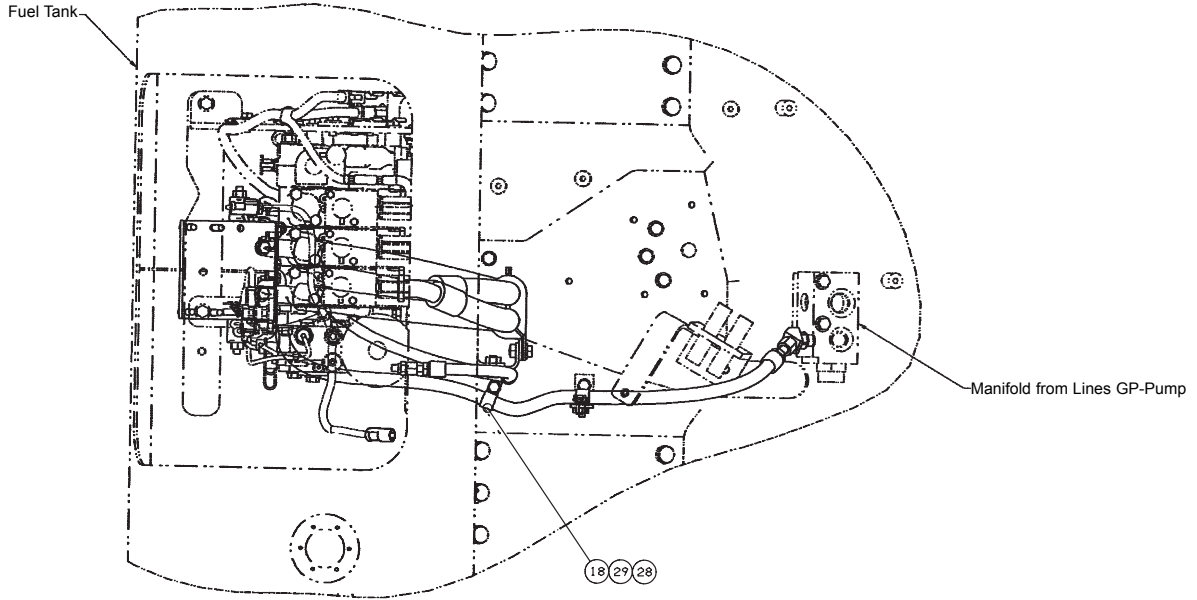
ITEM NO	PART NO	DESCRIPTION	QTY
1	106156	PLATE, MOUNTING	1
2	106153	HARNESS AS	1
3	106154	JOYSTICK, CONTROL	1
4	106155	CAPSCREW, BUTTON HD M8X1.25X20, G10.9	4

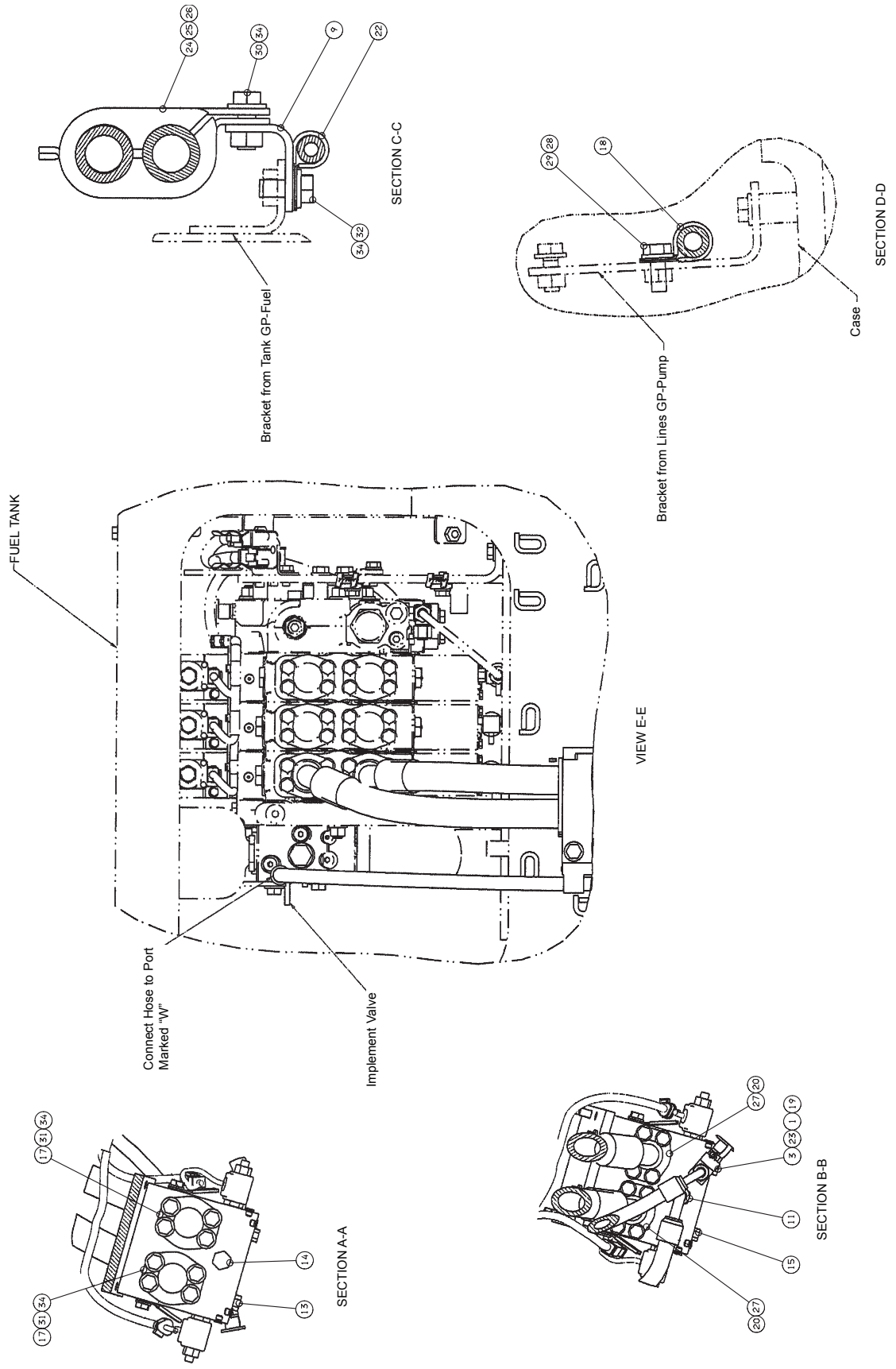
**MODEL H140A
MOTOR LINES GROUP
D8T**



ITEM NO	PART NO	DESCRIPTION	QTY
1	101277	SPLIT FLG, HALF	2
2	104319	CAPSCREW, HEX HD ($\frac{7}{16}$ -14 X 2- $\frac{3}{4}$, G8, Z)	4
3	101432	WASHER, HARD ($\frac{7}{16}$, Z)	4
4	101278	D-RING	3
5	105454	HOSE -16 XT-5 X 32 in. (813 mm)	1
6	40115	ADAPTER	1
7	105453	HOSE -16 XT-5 X 34.5 in. (876 mm)	1
9	101831	HOSE -4 X 26 in. (660 mm)	1
10	101261	HOSE ASSY -6 X 36 in. (914 mm)	1
11	40107	ELBOW, 90°	1
12	101830	HOSE -8 X 29 in. (737 mm)	1
13	101282	ELBOW, 90°	1
14	102347	CAPSCREW, HEX HD ($\frac{1}{2}$ -13 X 3, G8, Z)	1
15	102346	SPACER	1
16	PA6D7573	CLIP, DOUBLE	1
17	27501	HOSE CLAMP	1
18	100859	WASHER, HARD ($\frac{1}{2}$, Z)	2
19	27430	ELBOW, 90°	1

**MODEL H140A
LINES GROUP
D8T**

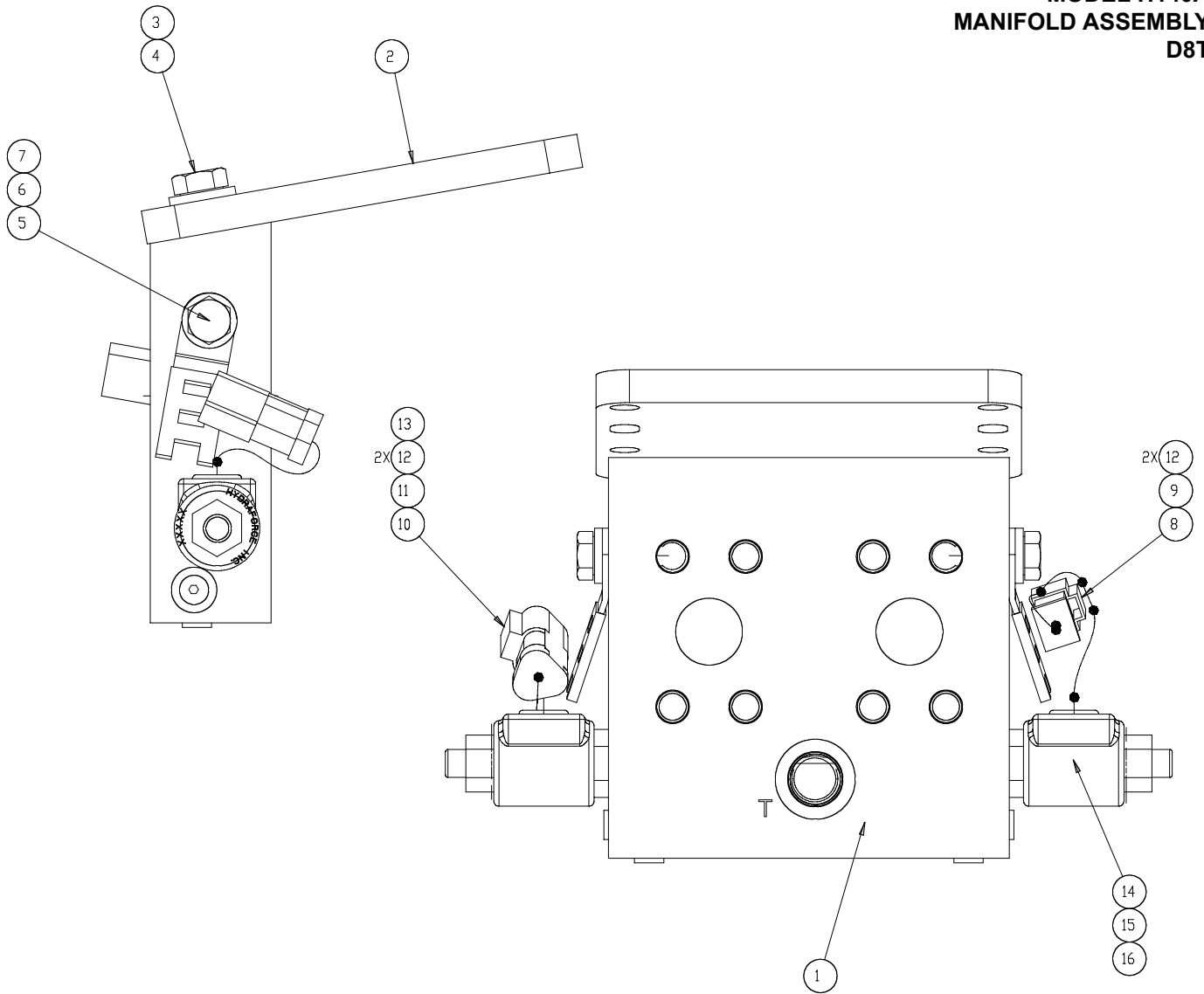




**MODEL H140A
LINES GROUP
D8T**

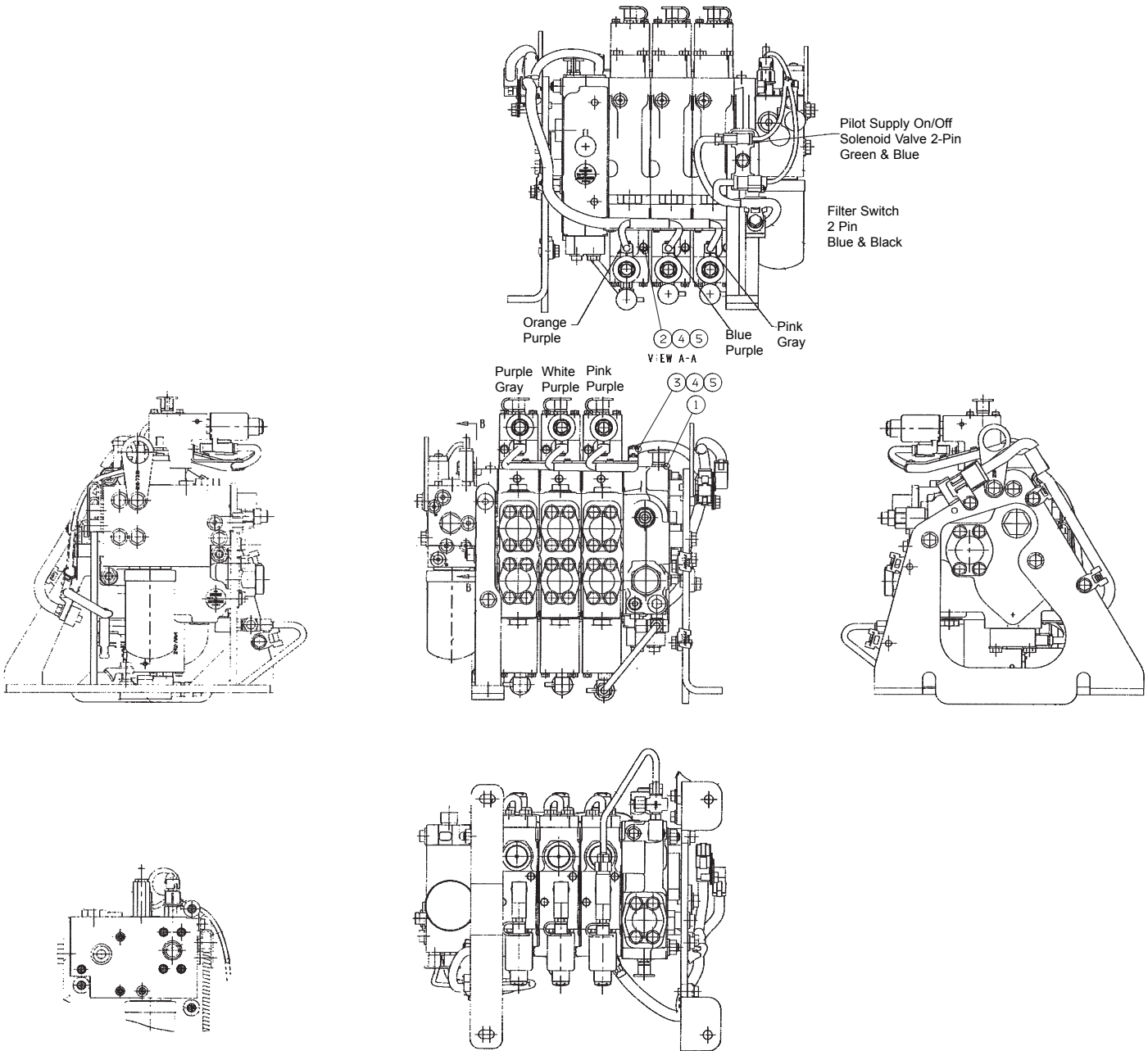
ITEM NO	PART NO	DESCRIPTION	QTY
1	PA6V0852	DUST CAP	1
2	106118	HOSE ASSY -8 X 43 in. (1092 mm)	1
3	106115	TEE	1
4	83084	MANIFOLD ASSY (REFER TO PAGE 11)	1
5	106139	HOSE ASSY -6 X 44 in. (1118 mm)	1
6	106135	WIRING HARNESS	1
7	106120	HOSE ASSY -16 X 37 in. (940 mm)	1
8	106119	HOSE ASSY -16 X 40 in. (1016 mm)	1
9	106121	BRACKET	1
10	100946	ADAPTER	1
11	101284	ADAPTER	1
12	101438	ELBOW, 45°	1
13	26686	PLUG	1
14	70117	PLUG	1
15	25663	PLUG	1
17	101277	SPLIT FLG, HALF	4
18	25869	HOSE CLAMP	2
19	72760	O-RING	1
20	102199	O-RING	4
22	PA5P4295	HOSE CLAMP	1
23	40034	ADAPTER, QD	1
24	PA7G5984	CLIP HALF	1
25	PA7G5985	CLIP HALF	1
26	PA7G5986	GROMMET	1
27	62702	SPLIT FLANGE KIT	2
28	102126	WASHER, HARD (M10, Z)	6
29	104719	CAPSCREW, HEX HD (M10 X 1.5 X 25, GR10.9, Z)	2
30	103935	CAPSCREW, HEX HD (M12 X 1.75 X 30, GR10.9, Z)	2
31	106130	CAPSCREW, HEX HD (M12 X 1.75 X 45, GR10.9, Z)	8
32	104691	CAPSCREW, HEX HD (M12 X 1.75 X 25, GR10.9, Z)	2
33	106131	CAPSCREW, HEX HD (M10 X 1.5 X 30, GR10.9, Z)	4
34	100859	WASHER, HARD (½, Z)	12

**MODEL H140A
MANIFOLD ASSEMBLY
D8T**



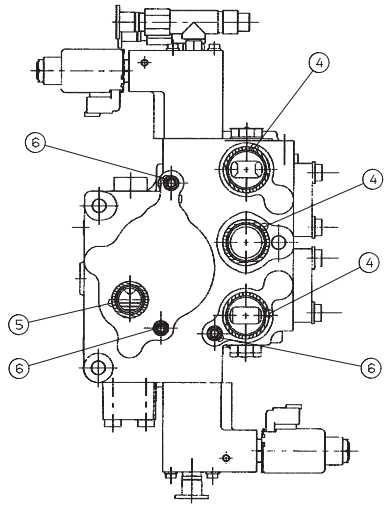
ITEM NO	PART NO	DESCRIPTION	QTY
1	103778	MANIFOLD & VALVE (INCLUDES ITEM 14, QTY 2)	1
2	106217	BRACKET	1
3	100859	WASHER, HARD (½, Z)	2
4	103935	CAPSCREW, HEX HD (M12 X 1.75 X 30mm, G10.9, Z)	2
5	PA4P7581	CLIP	2
6	103934	CAPSCREW, HEX HD (M10 X 1.5 X 16mm, G10.9, Z)	2
7	102126	WASHER, HARD (M10, Z)	2
8	100208	RECEPTACLE	1
9	100210	WEDGE, CONNECTOR	1
10	103959	RECEPTACLE, 3-PIN	1
11	103990	WEDGE, CONNECTOR, 3-PIN	1
12	100209	CONTACT PIN	4
13	100241	PLUG, CONNECTOR	1
14	29820	CARTRIDGE, SOLENOID VALVE (COMPLETE)	2
15	29821	SEAL KIT (FOR ITEM 14)	1
16	29822	COIL (FOR ITEM 14)	1

**MODEL H140A
VALVE MOUNTING GROUP
D8T**

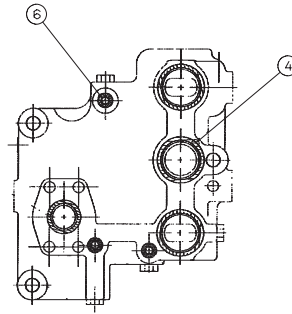


ITEM NO	PART NO	DESCRIPTION	QTY
1	63820	VALVE GROUP, CAT D8T (REFER TO PAGE 14)	1
2	106149	BRACKET	1
3	106150	BRACKET	1
4	106147	CAPSCREW, HEX HD (M6 X 1.00 X 12mm, G10.9, Z)	8
5	102128	WASHER, HARD (M6, Z)	8

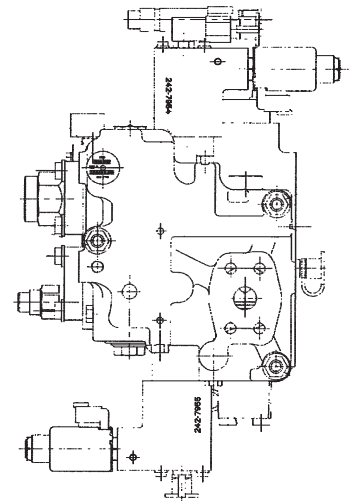
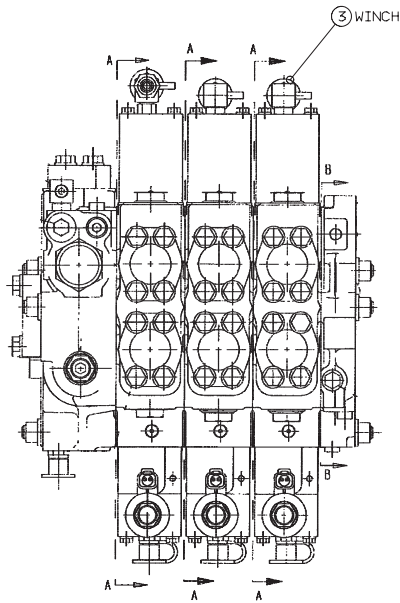
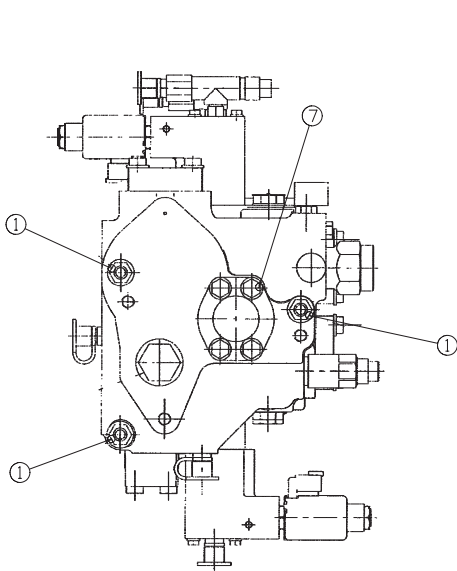
**MODEL H140A
VALVE MOUNTING GROUP
D8T**



SECTION A-A

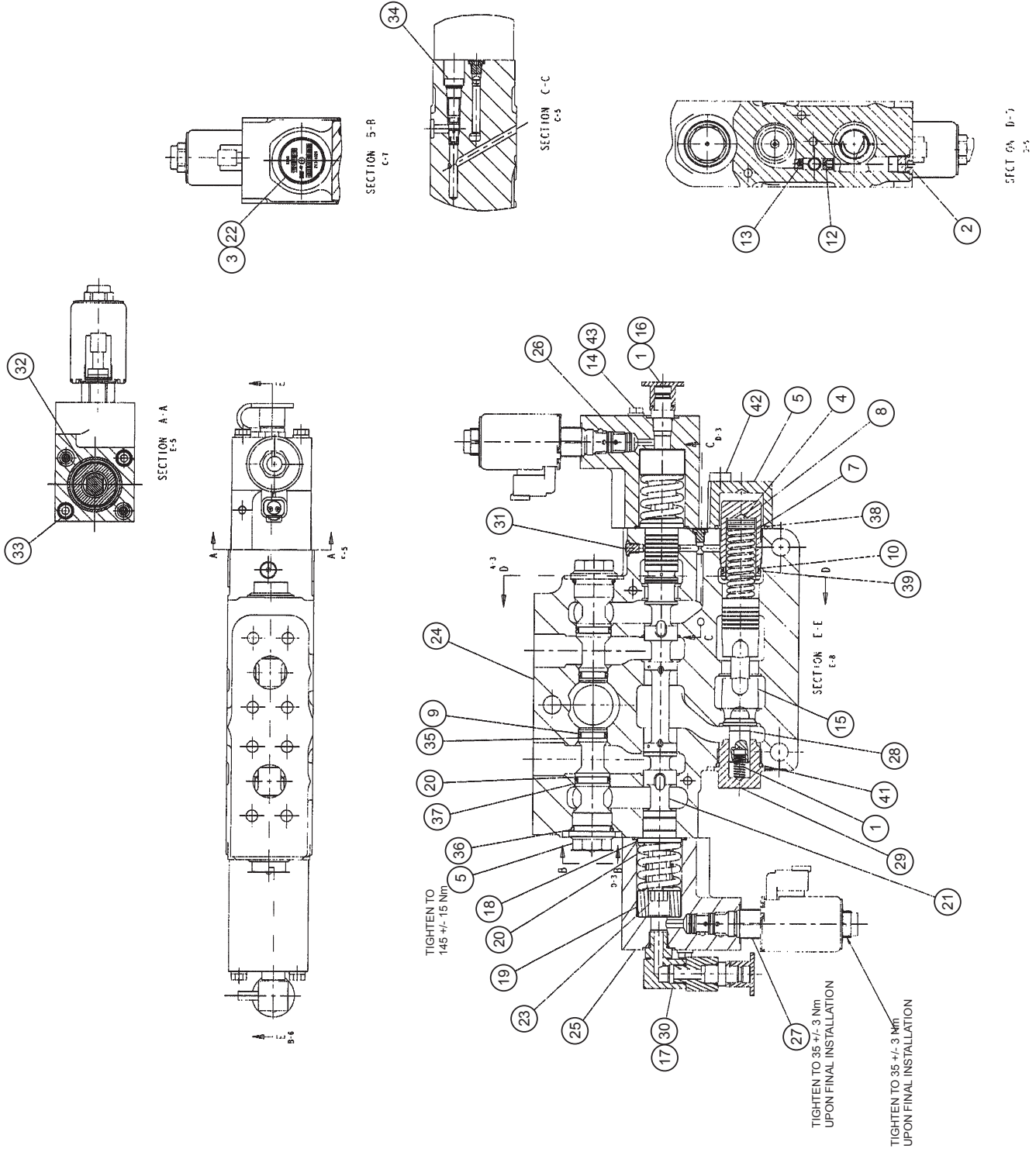


SECTION B-B



ITEM NO	PART NO	DESCRIPTION	QTY
1	106142	STUD	3
3	PA2134326	VALVE, DIRECTIONAL STACK EH (REFER TO PAGE 14)	1
4	PA4J0522	SEAL	3
5	PA4J8997	O-RING	1
6	PA6V5555	O-RING	3
7	62702	SPLIT FLANGE KIT	2

**MODEL H140A
VALVE ASSEMBLY
D8T**

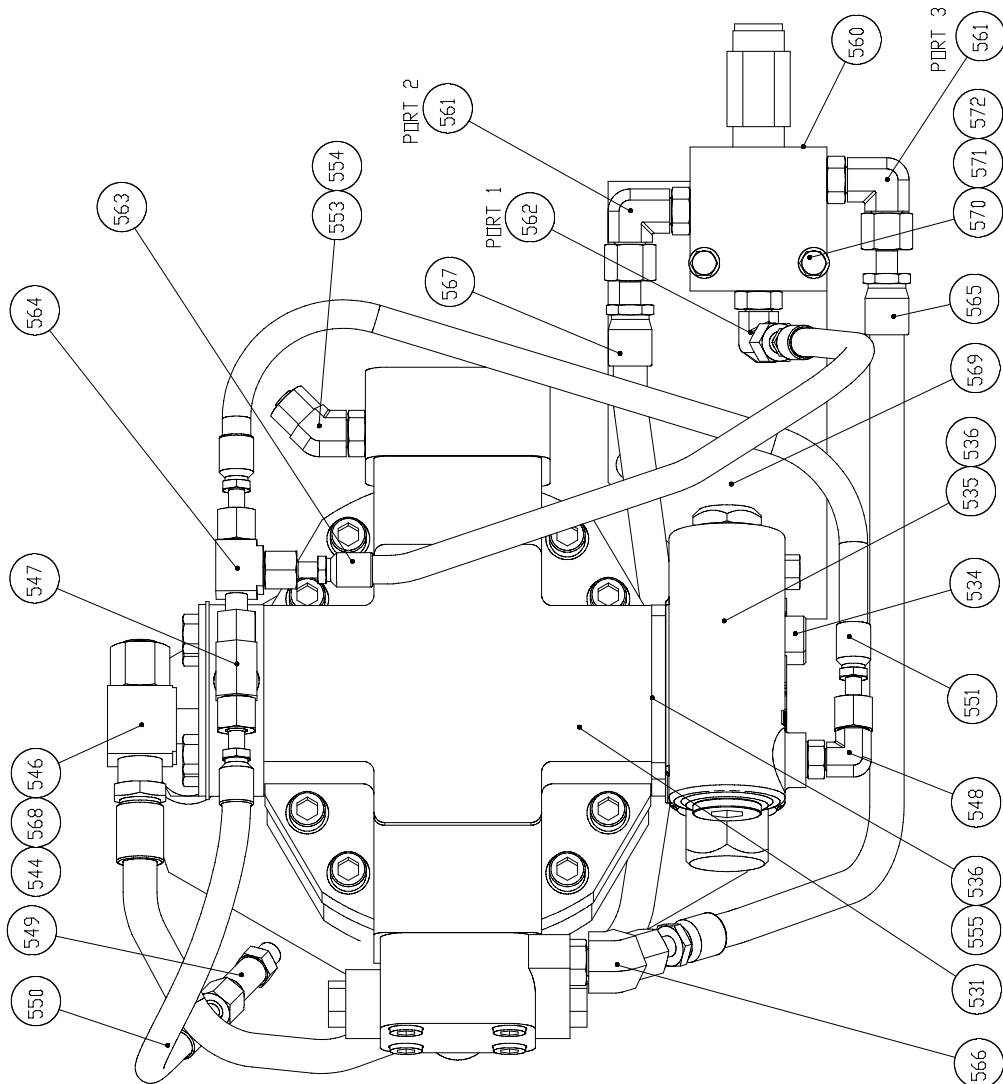
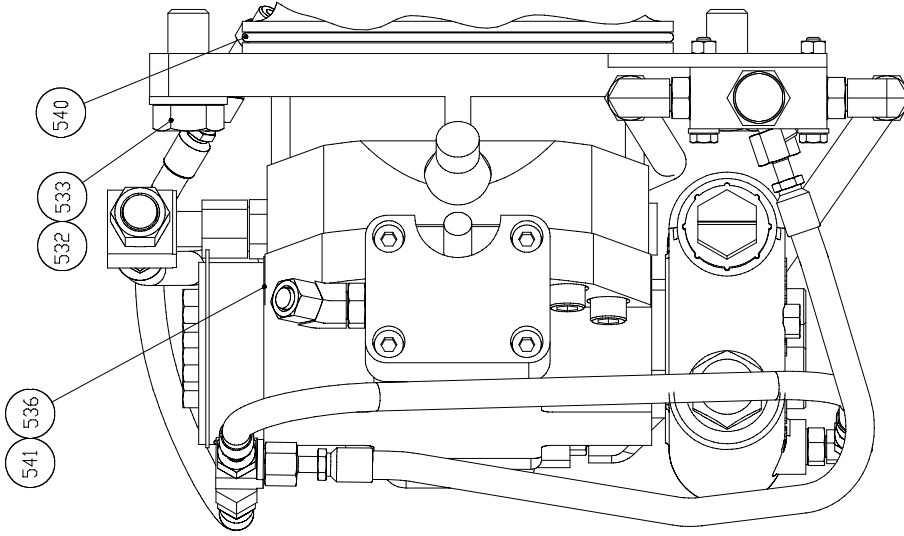


**MODEL H140A
VALVE ASSEMBLY
D8T**

ITEM NO	PART NO	DESCRIPTION	QTY
1	2S-2596	SPRING	1
2	3J-3679	PLUG AS	1
3	4B-4158	DRIVE SCREW	1
4	4B-4278	WASHER	1
5	4T-1108	PLUG AS	2
6	4T-1649	HOUSING	1
7	4T-1701	SPRING	1
8	4T-4511	SLEEVE	1
9	4T-5072	RING	2
10	4T-5074	BACKUP RING	1
11	6V-0852	DUST CAP	2
12	7N-4333	ORIFICE PLUG	1
13	7T-4224	ORIFICE	1
14	8T-4145	BOLT	4
15	9T-9080	VALVE	1
16	164-5567	NIPPLE AS	2
17	165-6365	FITTING AS	1
18	207-7434	RETAINER	2
19	207-7435	RETAINER	2
20	207-7437	SPRING	2
21	211-7815	STEM - WINCH	1
22	213-4323	ID PLATE	1
23	222-4737	PLUG AS	1
24	238-9350	VALVE BODY	1
25	242-7954	HOUSING AS	1
26	242-7955	HOUSING AS	1
27	257-0267	SOLENOID VALVE GP	2
28	100-8010	VALVE	1
29	100-8011	PLUG	1
30	150-3065	ADAPTER AS	1
31	173-3993	PLUG AS	2
32	187-9630	SEAL, O-RING	2
33	1H-1023	SEAL, O-RING	4
34	260-8590	SHUTTLE VALVE GP	1
35	4J-5351	SEAL, O-RING	2
36	4K-1388	SEAL, O-RING	2
37	4T-5073	RING	2
38	5W-2057	SEAL, O-RING	1
39	6Y-5556	SEAL, O-RING	1
40	7J-9933	SEAL, O-RING	2
41	7M-8485	SEAL, O-RING	1
42	8T-4185	BOLT	2
43	9X-8256	WASHER	4

NOTE: CATERPILLAR PART NUMBERS - FOR REFERENCE ONLY
FOR INQUIRIES ON THE ABOVE PARTS, CONTACT CATERPILLAR.

**MODEL H140A
MOTOR GROUP
D8T**

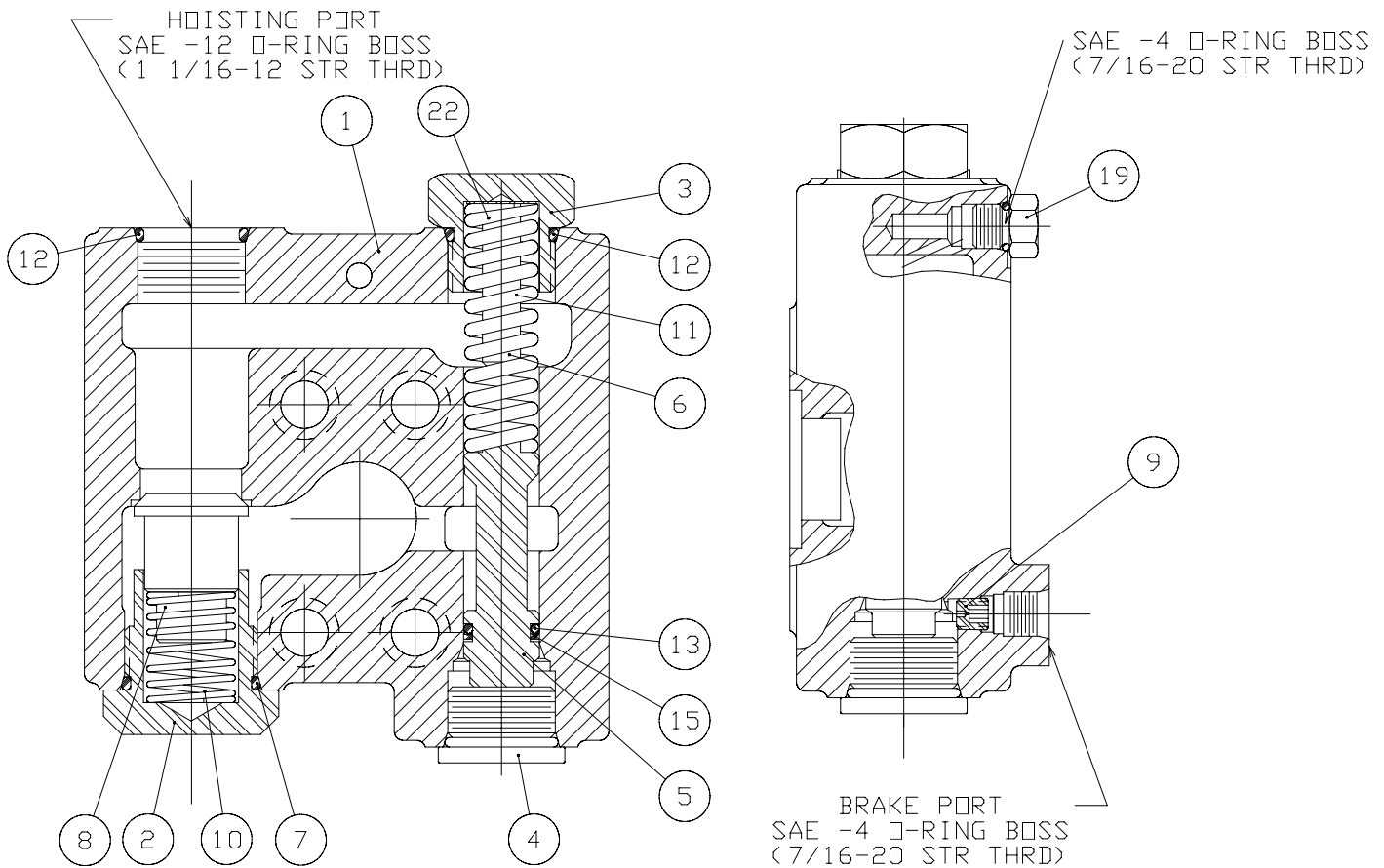


**MODEL H140A
MOTOR GROUP
D8T**

ITEM NO	PART NO	DESCRIPTION	QTY
531	101323	HYD MOTOR (3.34 CU IN, 3100 PSI)	1
532	104328	CAPSCREW, HEX HD (3/4-10 X 1 3/4, G8, Z)	2
533	100856	WASHER, HARD (3/4, Z)	2
534	21134	CAPSCREW, HEX SKT HD (7/16-14 X 3 in., G8)	4
535	83206	BRAKE VALVE ASSY (REFER TO PAGE 18)	1
536	25366	O-RING	3
537	29682	MOTOR COVER	1
538	104322	CAPSCREW, HEX HD (1/2-13 X 1 1/2, G8, Z)	11
539	100859	WASHER, HARD (1/2)	11
540	22358	O-RING	1
541	29395	ADAPTER BLOCK	1
544	101267	ADAPTER, METRIC	1
546	101274	CAP	1
547	101268	TEE	1
548	27430	ELBOW, 90°	1
549	101275	ADAPTER	1
550	101919	HOSE -4 X 14 in. (356 mm)	1
551	101271	HOSE -4 X 20 in. (508 mm)	1
553	101433	ELBOW, 45°	1
554	101273	CAP	1
555	40064	SPACER	1
560	105330	VALVE	1
	105413	CARTRIDGE SEAL KIT (FOR 105330)	1
561	40107	ELBOW, 90°	2
562	26680	ELBOW, 90°	1
563	101270	HOSE -4 X 17 in. (432 mm)	1
564	104204	TEE	1
565	104203	HOSE -6 X 18.5 in (470 mm)	1
566	101286	ELBOW, 45°	1
567	104205	HOSE -6 X 27 in. (689 mm)	1
568	104503	TEE	1
569	104207	BRACKET	1
570	21461	CAPSCREW, HEX HD (1/4-20 X 1 3/4, G8, Z)	2
571	69645	NUT, HEX (1/4-20, Z)	2
572	100857	WASHER, HARD (1/4, Z)	2

NOTE: ITEMS NO's 537, 538 AND 539 NOT SHOWN ON DRAWING.

**MODEL H140A
BRAKE VALVE ASSEMBLY
D8T**



ITEM NO.	PART NO.	DESCRIPTION	QTY.
-	83206	BRAKE VALVE AS.	1
1	NSS	BRAKE VALVE HOUSING	1
2	24424	VALVE SPRING RETAINER	1
3	104734	SPRING RETAINER	1
4	22450	PLUG	1
5	NSS	SPOOL	1
6	29993	SPOOL STOP	1
7	24186	O-RING	1
8	24423	CHECK VALVE POPPET	1
9	24200	PILOT ORIFICE	1
10	24190	CHECK VALVE SPRING	1
11	104732	SPRING, MAIN SPOOL	1
12	23601	O-RING	2
13	24193	O-RING	1
15	24195	BACK-UP RING	1
19	25663	PLUG	1
22	25661	SHIM, SPOOL SPRING	AR

NSS - NOT SERVICE SEPARATELY

AR - AS REQUIRED