

CARCO®

PARTS MANUAL MODEL 50A PS AND PSC WINCH FOR CATERPILLAR D5H PS AND DD TRACTOR

TABLE OF CONTENTS

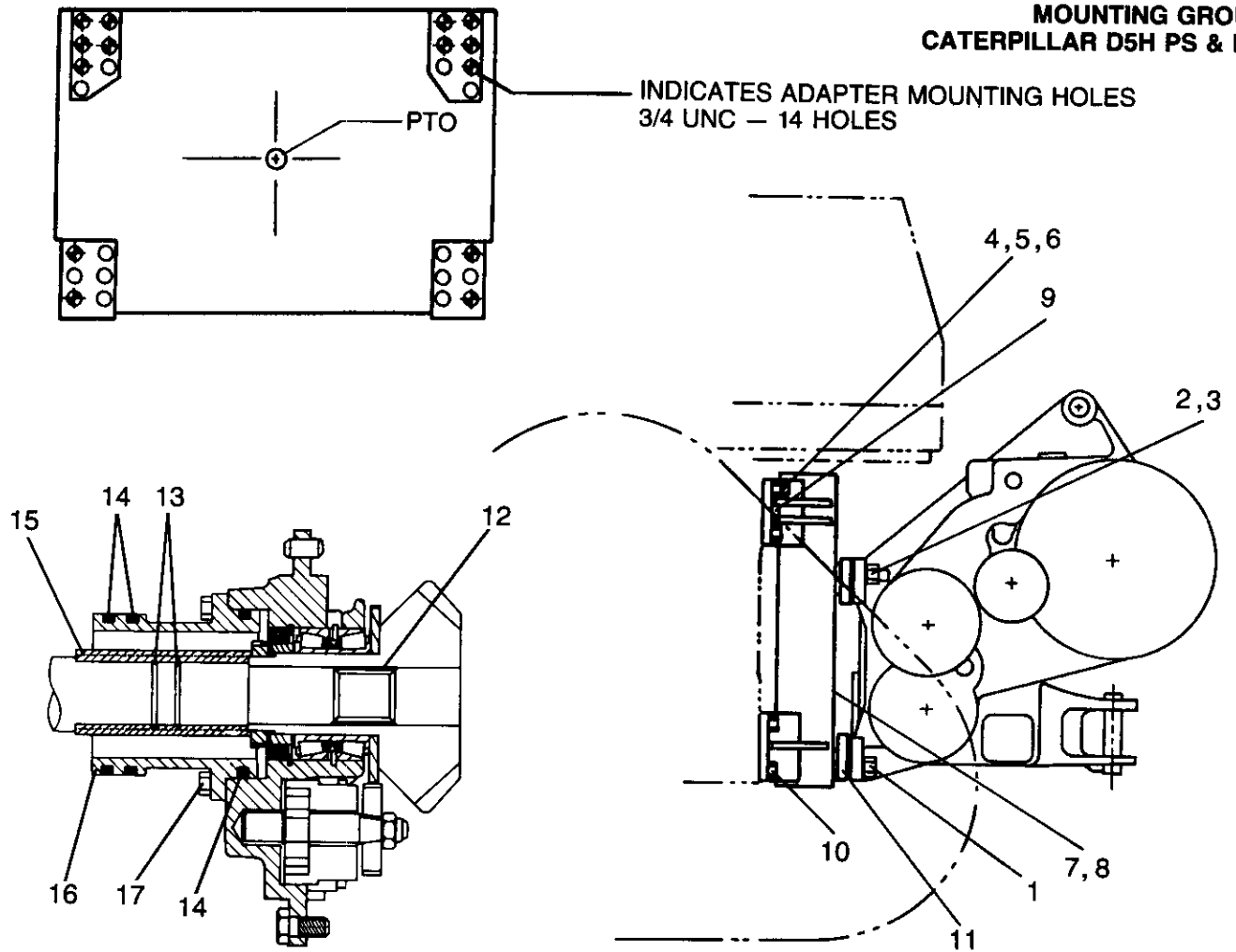
	PAGE
Mounting Group	3
Control Group	5
Bevel Gear Group	6
Pump Group	7
Case and Covers	8
Clutch Shaft Group	10
Clutch Assembly	12
Brake Assembly – Standard	13
Brake Assembly – Manual Override	14
Idler Shaft Group – With Freespool	16
Idler Shaft Group – Without Freespool	18
Forth Shaft Group	19
Cable Drum Group	20
Hydraulic Control Group	22
Hydraulic Control Valve	24
Control Stand	25
Fairlead	26

PACCAR WINCH DIVISIONS

P.O. BOX 547 • BROKEN ARROW, OK 74013
PHONE: (918) 251-8511 • TELEX: 492340 • FAX: (918) 258-4822

THIS PAGE INTENTIONALLY
LEFT BLANK

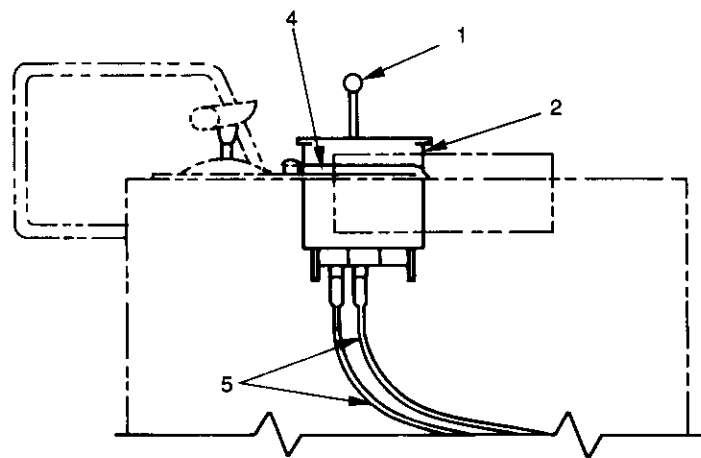
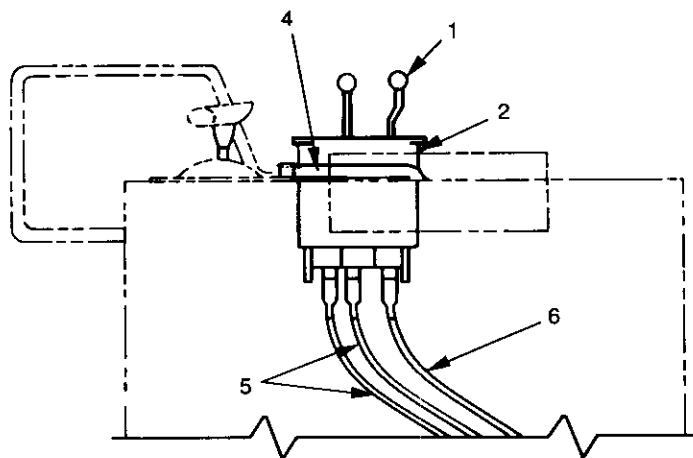
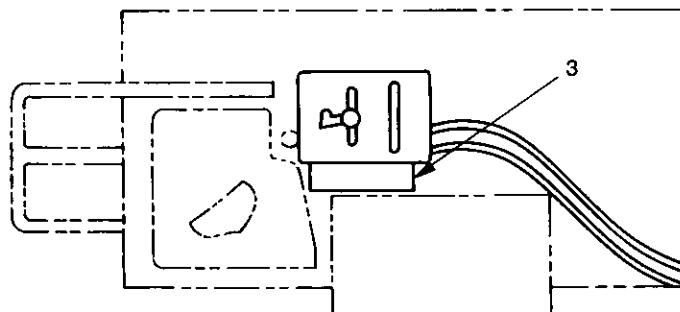
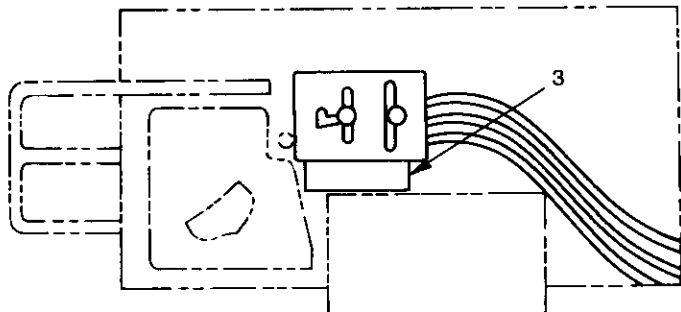
**MODEL 50A PS
MOUNTING GROUP
CATERPILLAR D5H PS & DD**



ITEM	PART NO.	DESCRIPTION	QTY.
1	31037	CAPSCREW, HEX HD. D5H PS	4
	69664	CAPSCREW, HEX HD. D5H DD	4
2	22887	NUT, HEX	4
3	69028	STUD D5H PS	4
	69027	STUD D5H DD	4
4	31250	WASHER	2
5	22885	NUT, HEX	2
6	33440	STUD	2
7	69058	ADAPTER, MACHINE R.H.	1
8	69054	ADAPTER, MACHINE L.H.	1
9	70691	CAPSCREW, HEX HD.	8
10	31033	CAPSCREW, HEX HD.	4
11	69053	SPACER D5H PS	4
	69053	SPACER D5H DD	8
12	68807	SPLINED PTO SHAFT	1
13	68870	RETAINING RING	2
14	69850	O-RING	3
15	69056	COUPLING	1
16	69089	PILOT, PTO	1
17	22697	CAPSCREW, HEX HD.	4

THIS PAGE INTENTIONALLY
LEFT BLANK

**MODEL 50A PS & PSC
CONTROL GROUP
CATERPILLAR D5H PS & DD**



WITH FREESPOOL

WITHOUT FREESPOOL

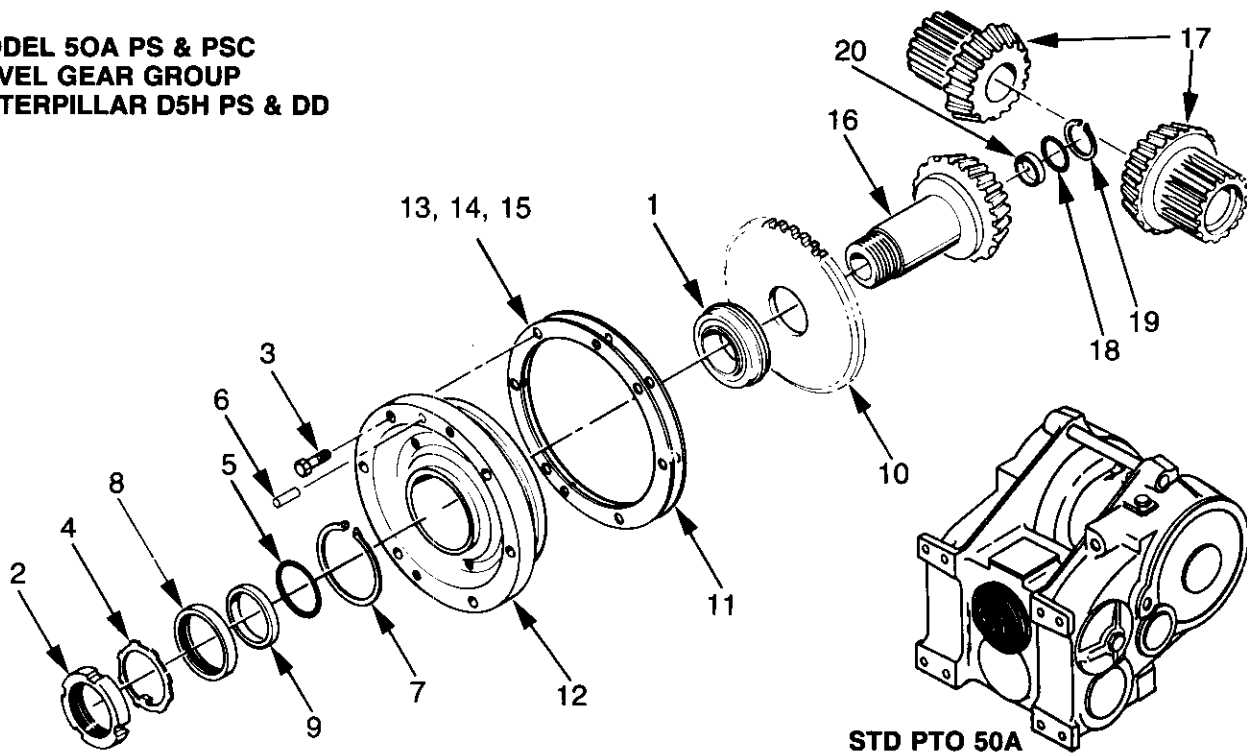
CONTROL GROUP WITH FREESPOOL

ITEM	PART NO.	DESCRIPTION	QTY.
1	69667	CONTROL STAND KIT WITH FREESPOOL	1
2	25696	CONTROL FRAME	1
3	68889	COVER PLATE	1
4	68888	TRIM KIT	1
5	69801	CONTROL CABLE	2
6	69800	CONTROL CABLE	1

CONTROL GROUP WITHOUT FREESPOOL

ITEM	PART NO.	DESCRIPTION	QTY.
1	69666	CONTROL STAND KIT WITHOUT FREESPOOL	1
2	25696	CONTROL FRAME	1
3	68889	COVER PLATE	1
4	68888	TRIM KIT	1
5	69801	CONTROL CABLE	2

**MODEL 50A PS & PSC
BEVEL GEAR GROUP
CATERPILLAR D5H PS & DD**



STD PTO 50A

ITEM	PART NO.	DESCRIPTION	QTY.
1	70077	BEARING ASSEMBLY	1
2	24816	BEARING, LOCK NUT	1
3	22697	CAPSCREW, HEX HD.	6
4	11418	LOCKWASHER	1
5	74992	O-RING	1
6	10318	DOWEL PIN	1
7	70163	RETAINING RING	1
8	70168	OIL SEAL	1
9	70382	SEAL SPACER	1
10	69947	PUMP DRIVE PINION	1
11	69946	SHIM GASKET	1
12	69661	CARRIER	1
13	69945	SHIM .005"	2-AR
14	69827	SHIM .007"	2-AR
15	69826	SHIM .020"	2-AR
16	70373	BEVEL PINION - STD SPD	1
	70355	BEVEL PINION - SLOW SPD	1
17	70350	BEVEL GEAR - STD SPD	2
	70353	BEVEL GEAR - SLOW SPD	2
18	69813	O-RING	1
19	70162	RETAINING RING	1
20	70626	PLUG, BEVEL PINION	1

BEVEL GEAR SET LISTINGS

NOTE: The Bevel Gear Set above is standard for the adaption indicated. Below are gear combinations to provide a range of line speeds and pulls for various winching requirements. Important - Prior to ordering or quoting on any optional Bevel Gear Set be sure to check with factory on availability, and if the gear set would be recommended for the application.

BEVEL GEAR SET PART NO.	BEVEL GEAR		BEVEL PINION		RATIO	
	PART NO.	TEETH	PART NO.	TEETH	GR. SET	OVERALL
36638	36609	30	36610	30	1:1	40.4:1
70449	70350	33	70373	26	1.27:1	51.4:1
70450	70351	36	70372	22	1.64:1	66.3:1
70451	70352	38	70354	18	2.11:1	85.3:1
70812	70353	39	70355	14	2.78:1	112.8:1